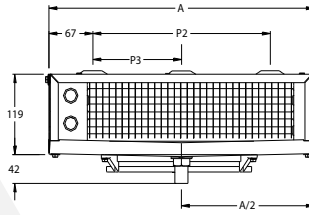
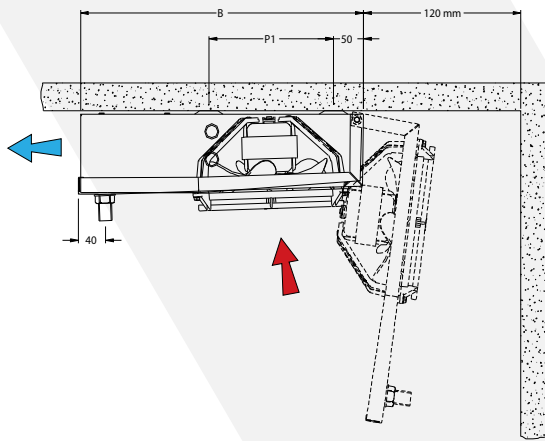
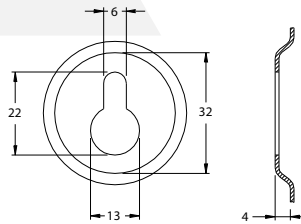


CARATTERISTICHE COSTRUTTIVE - MANUFACTURING FEATURES



Asole di fissaggio
Fixing slots



Facilmente accessibile in caso di manutenzione grazie al convogliatore/bacinella che può aprirsi a 90°

Easily accessible in case of maintenance thanks to the conveyor/tray that can be opened up to 90°

SIA FIRMA "REVERS"
Katlakalna 4c, Rīga
www.revers.lv

RSR range	REF	1040	1060	2100	2130	3180	3290	4380
		1040B	1060B	2100B	2130B	3180B	3290B	4380B
		1040ED	1060ED	2100ED	2130ED	3180ED	3290ED	4380ED
		1040BED	1060BED	2100BED	2130BED	3180BED	3290BED	4380BED
DIMENSIONS [mm]	P1	175	190	190	190	190	190	190
	P2	270	270	470	470	970	970	1245
	P3	-	-	-	-	-	-	622,5
	A	404	404	604	604	1104	1104	1379
	B	360	433	433	433	433	433	433
CONNECTIONS	inlet	9.52 [mm]	9.52 [mm]	9.52 [mm]	1/2" SAE	1/2" SAE	1/2" SAE	1/2" SAE
	outlet	9.52 [mm]	9.52 [mm]	9.52 [mm]	16 [mm]	16 [mm]	16 [mm]	16 [mm]
	drain	1/2" gas [20mm]	1/2" gas [20mm]	1/2" gas [20mm]	1/2" gas [20mm]	1/2" gas [20mm]	1/2" gas [20mm]	1/2" gas [20mm]

IMBALLO EVAPORATORI
UNIT COOLERS PACKAGE

PACKAGE	WEIGHT (Kg)	DIMENSIONS		
		A (mm)	B (mm)	H (mm)
RSR1	0.8	432	455	155
RSR2	1.0	632	455	155
RSR3	1.6	1135	455	155
RSR4	2.5	1410	455	155

SCATOLA IN CARTONE
CARBOARD BOX

