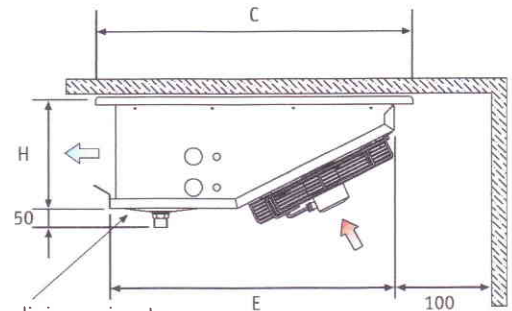
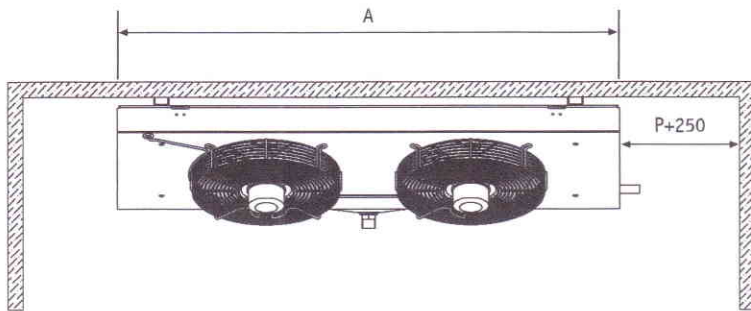




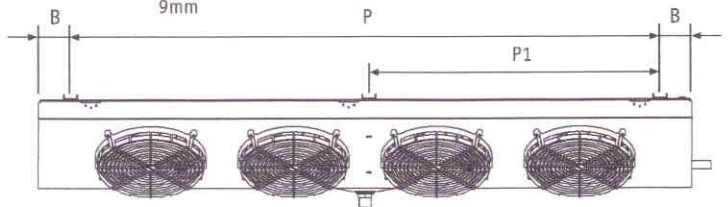
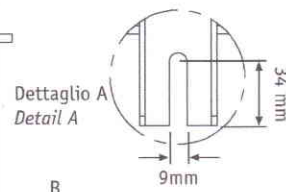
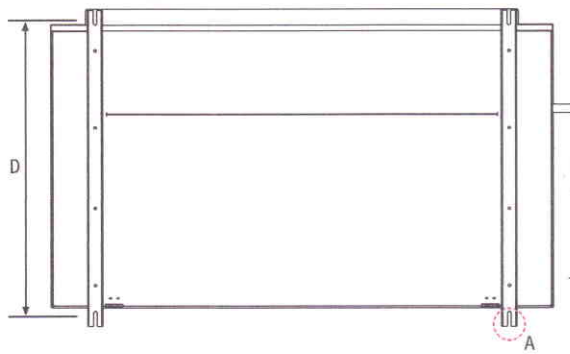
## Caratteristiche costruttive

### Manufacturing features

RIVACOLD



Etichetta di riconoscimento  
Identifying label



#### Serie RSI / RSI Range

Modello Model	RSI	1250-1250ED	2250-2250ED	3250-3250ED	4250-4250ED
Dimensioni Dimensions (mm)	A	565	935	1305	1675
	P	400	770	1140	1510
	P1	---	---	---	745
	B	82,5	82,5	82,5	82,5
	C	550	550	550	550
	D	483	483	483	483
	E	461	461	461	461
	H	241	241	241	241
Attacchi Connections	Ø ingresso - Ø inlet	12 x 1mm	12 x 1mm	12 x 1mm	12 x 1mm
	Ø uscita - Ø outlet	16 x 1mm	16 x 1mm	22 x 1mm	22 x 1mm
	Ø scarico - Ø drain	1/2" Gas (20mm)	1/2" Gas (20mm)	1" Gas (33mm)	1" Gas (33mm)

#### Serie RSI / RSI Range

Modello Model	RSI	23503-23503ED 23507-23507ED	33503-33503ED 33507-33507ED	43503-43503ED 43507-43507ED
Dimensioni Dimensions (mm)	A	1300	1750	2200
	P	1070	1520	1970
	P1	---	510	985
	B	115	115	115
	C	820	820	820
	D	753	753	753
	E	726	726	726
	H	287	287	287
Attacchi Connections	Ø ingresso - Ø inlet	12 x 1mm - 1/2"SAE	12 x 1mm - 1/2"SAE	12 x 1mm - 1/2"SAE
	Ø uscita - Ø outlet	22 x 1mm	28 x 1,5mm	28 x 1,5mm
	Ø scarico - Ø drain	1" Gas (33mm)	1" Gas (33mm)	1" Gas (33mm)