

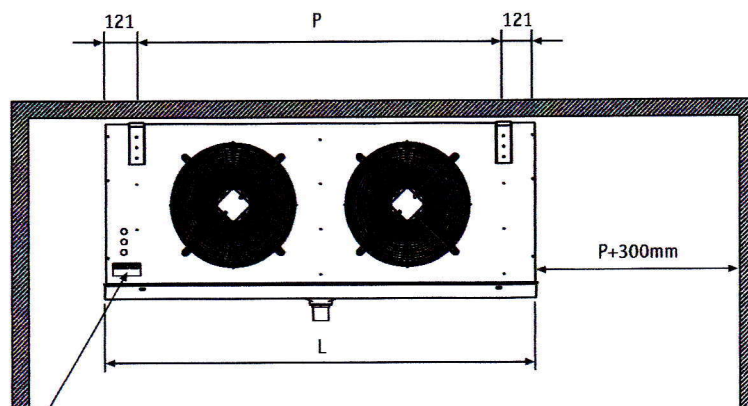
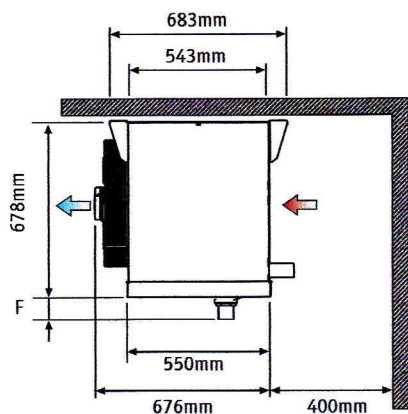


Ø 450

Caratteristiche costruttive

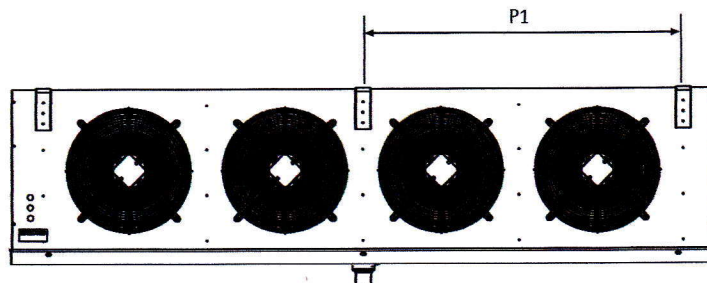
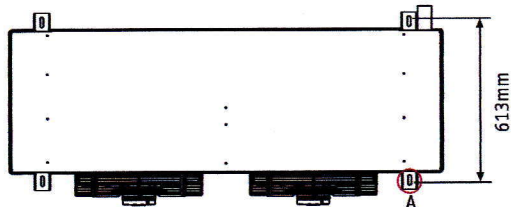
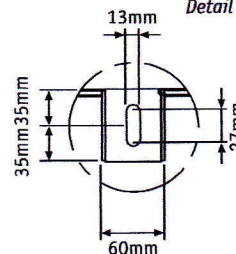
Manufacturing features

RIVACOLD



Etichetta di riconoscimento
Identifying label

Dettaglio A
Detail A



Serie RCMR / RCMR Range

Modello Model	RCMR	1450804 1450806 1450808	1450804ED 1450806ED 1450808ED	2450604 2450606 2450608	2450604ED 2450606ED 2450608ED	3450604 3450606 3450608	3450604ED 3450606ED 3450608ED	4450604 4450606 4450608	4450604ED 4450606ED 4450608ED	4450804 4450806 4450808	4450804ED 4450806ED 4450808ED
------------------	------	-------------------------------	-------------------------------------	-------------------------------	-------------------------------------	-------------------------------	-------------------------------------	-------------------------------	-------------------------------------	-------------------------------	-------------------------------------

Dimensioni Dimensions (mm)	P	860	1410	1960	2460	2460
	P1	-	-	-	1230	1230
	L	1118	1668	2218	2718	2718
	F	50	86	86	86	86
Attacchi Connections	Ø ingresso Ø inlet	22 x 1mm	28 x 1,5mm	35 x 1,5mm	35 x 1,5mm	35 x 1,5mm
	Ø uscita Ø outlet	35 x 1,5mm	54 x 2mm	54 x 2mm	54 x 2mm	67 x 2,5mm
	Ø scarico Ø drain	1" Gas (33mm)	2" Gas	2" Gas	2" Gas	2" Gas